

FOS, FOSBN and FOC Series

Single Cartridge Filter Housings with Bolt & Nut Closure for Liquids



- Designed for industrial and commercial filter applications
- Heavy duty construction for maximum durability
- Various materials of construction for wide range of process requirements
 - 304L or 316L stainless steel
 - Brass nickel plated head with 304L SS body
 - Cast Iron Head with a steel body
- Accepts Double Open-End (DOE) cartridges
- Available with 1/4", 3/8", 1/2", 3/4", and 1" connections.
- Numerous gasket options for compatibility with most fluids
- Bolt-nut-closure design for quick cartridge change outs (T-handle optional)
- In line connections for easy installation
- Knife edge seals at both end of cartridge housing eliminate potential bypass.

Applications

Water	Desalination
Chemicals	Food & Beverage
Electronics	Oil / Gas
Power	Inks / Paints / Coatings
Coolants	Pulp & Paper

Specifications & Operating Parameters

Maximum Operating Pressure

250 psig (17 bar) @ 275°F (135°C)

Connections

Inlet /Outlet: 1/2", 3/4" or 1" FNPT

1/4" and 3/8" only available for FOC Series

Optional: BSPT, BSPP, RF Flanges, Sanitary Ferrules or Grooved Fittings

Drain Port: 1/8" NPT (1/4" for FO-38 models)

Gaskets

Buna

Optional: EPR, Silicone, Viton, Teflon, Neoprene, Vellumoid

Materials of Construction

Head / Shell: FOS - 304L or 316L Stainless Steel

FOSBN - Brass nickel plated / 304L Stainless Steel

FOC - Cast iron head / carbon steel

Drain: FOS - Stainless Steel Plug

FOSBN - Brass Petcock

FOC - Brass Petcock

Options

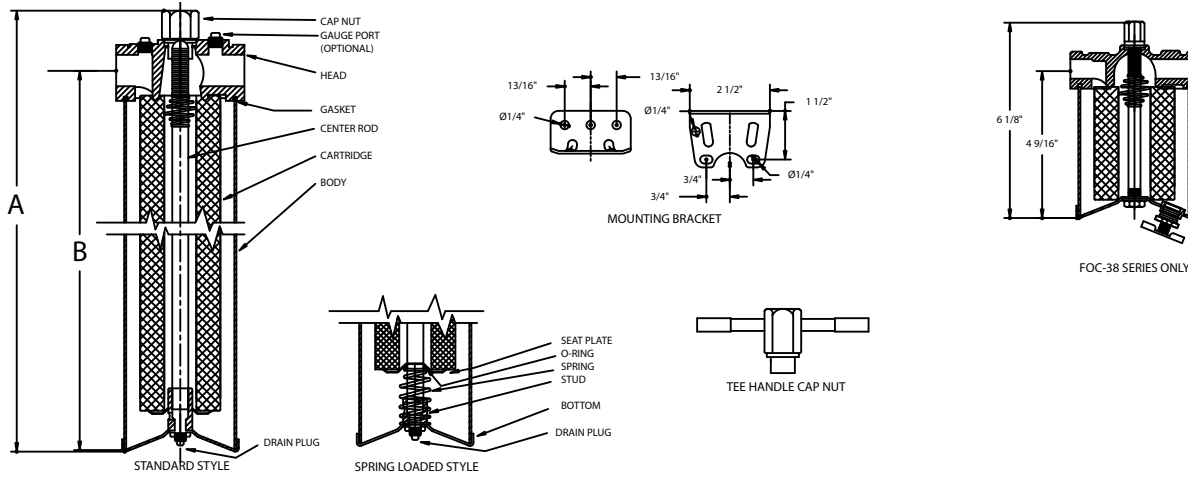
- Vent Port with Vent Screw
- Gauge Ports
- Bracket Kit
- Variable Spring Load Seal
- Tee Handle

See Ordering Guide for complete selection of options

MODEL	QUANTITY (LENGTH) OF CARTRIDGES	RATED FLOW CAPACITY* GPMLPM)	MAXIMUM DIAMETER CARTRIDGE	DRAIN SIZE	STANDARD		SPRING LOADED	
					A	B	A	B
FO-38	1 (3 3/4")	1.75 (6.6)	2 3/4"	1/4"	7 11/16" (19.5)	5 3/4" (26.1)	N/A	N/A
FO-39	1 (4 7/8")	3.5 (132)	2 3/4"	1/8"	8 7/8" (22.5)	6 15/16" (17.6)	9 1/2" (24.1)	7 9/16" (19.2)
FO-78	1 (9 3/4")	7 (26.5)	2 3/4"	1/8"	13 3/4" (34.9)	11/13/16" (33.0)	14 3/8" (36.5)	12 7/16" (31.6)
FO-80	1 (20")	14 (53.0)	2 3/4"	1/8"	23 7/8" (60.6)	21 15/16" (55.7)	24 1/2" (62.2)	22 9/16" (57.3)
FO-90	1 (30")	21 (79.5)	2 3/4"	1/8"	33 7/8" (86.0)	31 15/16" (81.1)	34 1/2" (87.6)	32 9/16" (82.7)

* Based upon 7 gpm per 10" length with a 25 micron wound cartridge at 2 PSID clean and viscosity of 1 cps. Flow rates are for guidelines only, Actual flow rates are based on fluid, viscosity, cartridge type, micron ratings and other factors.

Dimensions



Ordering Guide (Example: FOS-786-316-TH-E)

FO	S	- 78	6	- 316	-	TH	-	E
MODEL	MATERIAL	CARTRIDGE LENGTH*	PIPE SIZE FNPT	OPTIONAL MATERIAL		OPTIONS		GASKET
FO	S = 304L Stainless Steel with stainless steel drain plug SBN = Brass Nickel Plated Head with 304L Stainless Steel sump and brass petcock drain C = Cast iron head with steel sump and brass petcock drain	38 = 3 3/4" 39 = 4 7/8" 78 = 9 3/4" 80 = 20" 90 = 30"	2 = 1/4" 3 = 3/8" 4 = 1/2" 6 = 3/4" 8 = 1"	Blank = None 316 = 316L		Blank = None BSP = BSP threads 1F = 1" Flange+ 1TC = 1" Ferrules+ GP4 = 1/4" Gauge Ports++ BR = Bracket Kit DSG = Variable Seal (Spring Loaded) TH = Tee Handle 10 = 10" Cartridge Length 195 = 19 1/2" Cartridge Length 294 = 29 1/4" Cartridge Length Vent = Vent Screw		B = Buna N (Standard) E = EPR S = Silicone V = Viton T = Teflon N = Neoprene Vell = Vellumoid

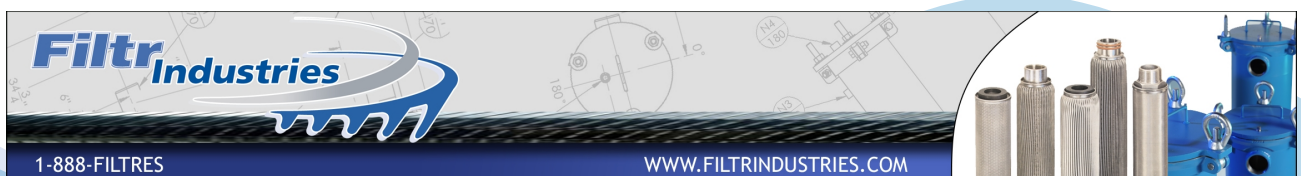
* Available in 10", 19 1/2" and 29 1/4" length - see options in ordering guide

+ Available only in FOS stainless steel series. Maximum pressure rating for RF flanges and sanitary ferrules is 150 psi (10.3 bar).

++ When ordering vents or gauge ports, specify location : I = Inlet, O = Outlet, I/O = Inlet and Outlet. Example = GP4/I/O

Customization

Housings may be customized to meet your precise requirements. Contact Shelco's technical support staff or your distributor for more information.



MicroSentry™, MicroVantage™, Shelco Filters® and the Shelco logo are registered trademarks of the Tinny Corporation. Shelco Filters is a division of the Tinny Corporation.