

MicroVantage™ HPI Series

High Purity Multi-Cartridge Industrial Filter Housings

MicroVantage Ultra Premium Filter Series



- 316L stainless steel construction with electro-polished finish for maximum durability and corrosion resistance
- Available with two closure options:
 - V-band clamp closure for quick and easy cartridge change outs
 - Swing Bolt closure for secure sealing
- Holds four through twenty one cartridges for optimal choice of flow rates
- Universal seat for either 222 flat/fin or double open-ended (DOE) style cartridges (226 style connectors are optional)
- Adjustable top plate accepts variable length cartridges
- Gauge Ports with stainless steel liquid pressure gauges (0-200 psi) provide easy monitoring for optimal system maintenance
- Raised Face Flanges for rugged connections
- Mounting legs provide secure installation

Applications

| | |
|-------------|--------------------------|
| Water | Desalination |
| Chemicals | Food & Beverage |
| Electronics | Oil / Gas |
| Power | Inks / Paints / Coatings |
| Coolants | Pulp & Paper |

Specifications

Maximum Operating Pressure

150 psig (10.3 bar) @ 300°F (149°C)

Connections

Inlet /Outlet: RF flange (Standard)

2" - 4HPI and 7HPI

3" - 12HPI

4" - 21HPI

Optional: Sanitary Ferrules

Drain Ports: 1/2" NPT

Optional: Sanitary Ferrules

Vent Ports: 1/4" NPT - 4HPI and 7HPI

1/2" NPT - 12HPI and 21HPI

Optional: Sanitary Ferrules

Materials of Construction

Head / Shell / Connections:

316L Stainless Steel Electro-polished

Closure:

Clamp – 304L Stainless Steel

Swing Bolts – Zinc Plated Steel

Gaskets

EPR (FDA Grade)

Optional: Buna, Silicone, Teflon Encapsulated Silicone, Viton

Cartridge Type

222 or DOE style cartridges

Optional: 226 adapters

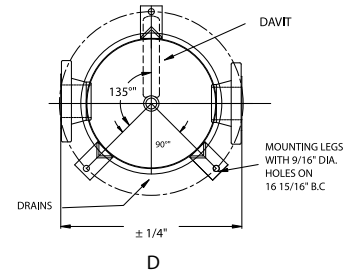
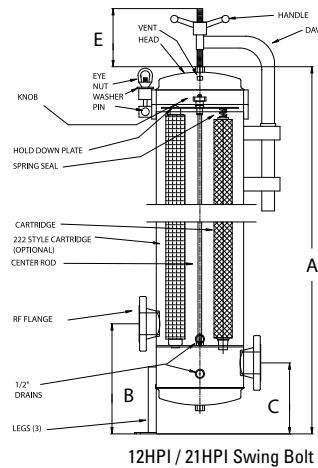
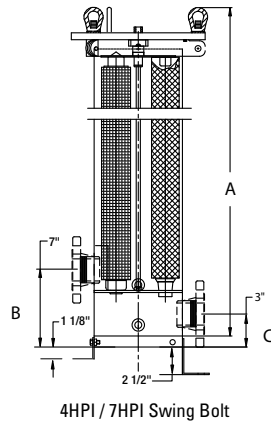
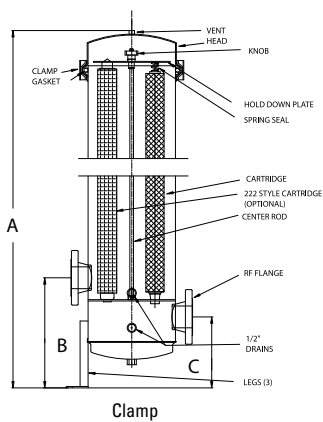
Custom Options

See Ordering Guide for complete listing

| MODEL | QUANTITY (LENGTH) OF CARTRIDGES+ | RATED FLOW CAPACITY* GPM(LPM) | MAXIMUM DIAMETER CARTRIDGE | CLAMP STYLE | SWING BOLT STYLE | | | | |
|--------|----------------------------------|-------------------------------|----------------------------|---------------------|---------------------|-------------------|------------------|---------------------|---------------|
| | | | | | A | B | | | |
| 4HP1 | 4(10") | 28(106) | 2 3/4" | 20 7/8" (53.02 cm) | 22 1/4" (56.3 cm) | 7" (17.8 cm) | 3" (7.6 cm) | 12" (30.48 cm) | |
| 4HP12 | 4 (20") | 56 (212) | 2 3/4" | 30 7/8" (78.42 cm) | 32 1/4" (81.9 cm) | 7" (17.8 cm) | 3" (7.6 cm) | 12" (30.48 cm) | |
| 4HP13 | 4 (30") | 84 (318) | 2 3/4" | 40 7/8" (103.82 cm) | 42 1/4" (107.3 cm) | 7" (17.8 cm) | 3" (7.6 cm) | 12" (30.48 cm) | |
| 4HP14 | 4 (40") | 112 (424) | 2 3/4" | 50 7/8" (129.22 cm) | 52 1/4" (132.7 cm) | 7" (17.8 cm) | 3" (7.6 cm) | 12" (30.48 cm) | |
| 7HP11 | 7 (10") | 49 (185.5) | 2 3/4" | 20 1/2" (52.1 cm) | 21" (53.3 cm) | 8 1/16" (20.5 cm) | 3 3/16" (8.4 cm) | 14" (35.56 cm) | |
| 7HP12 | 7 (20") | 98 (371) | 2 3/4" | 30 1/2" (77.5 cm) | 40 1/2" (102.9 cm) | 8 1/16" (20.5 cm) | 3 3/16" (8.4 cm) | 14" (35.56 cm) | |
| 7HP13 | 7 (30") | 157 (594.3) | 2 3/4" | 49 1/2" (125.7 cm) | 50 1/2" (154 cm) | 8 1/16" (20.5 cm) | 3 3/16" (8.4 cm) | 14" (35.56 cm) | |
| 7HP14 | 7 (40") | 196 (741.9) | 2 3/4" | 59 1/2" (151.1 cm) | 60 1/2" (153.7 cm) | 8 1/16" (20.5 cm) | 3 3/16" (8.4 cm) | 14" (35.56 cm) | |
| 12HP13 | 12 (30") | 252 (954) | 2 3/4" | 49 1/2" (125.7 cm) | 50 1/2" (154 cm) | 15 3/8" (39.1 cm) | 10" (25.4 cm) | 16 11/16" (42.5 cm) | 12" (20.3 cm) |
| 12HP14 | 12 (40") | 336 (1272) | 2 3/4" | 59 1/2" (151.1 cm) | 60 1/2" (153.7 cm) | 15 3/8" (39.1 cm) | 10" (25.4 cm) | 16 11/16" (42.5 cm) | 12" (20.3 cm) |
| 21HP13 | 21 (30") | 462 (1749) | 2 3/4" | 50 3/16" (127.5 cm) | 50 3/16" (127.5 cm) | | 9 1/2" (24.1 cm) | 21" (53.3 cm) | 12" (25.4 cm) |
| 21HP14 | 21 (40") | 616 (2332) | 2 3/4" | 60 3/16" (152.9 cm) | 60 3/16" (152.9 cm) | | 9 1/2" (24.1 cm) | 21" (53.3 cm) | 12" (25.4 cm) |

+ Housings will accept cartridge lengths: 10" = (9 3/4" or 10"), 20" = (19 1/2" or 20"), 30" = (29 1/4" or 30") and 40" = (39" or 40")
 * Based upon 7 gpm per 10" length with a 25 micron wound cartridge at 2 PSID clean and viscosity of 1 cps. Flow rates are for guidelines only. Actual flow rates are based on fluid, viscosity, cartridge type, micron ratings and other factors.

Dimensions



Ordering Guide (Example: 4HP13C-316-226-2F-EP-E-GPA)

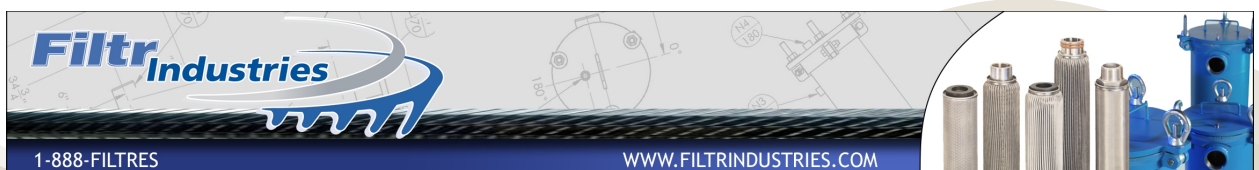
| MODEL | LENGTH OF CARTRIDGES* | CLOSURE STYLE | MATERIAL | CARTRIDGE CONFIGURATION | CONNECTION SIZE** | CONNECTION TYPE | FINISH | GASKET | OPTIONS |
|-------|-----------------------|-----------------|------------|----------------------------|-------------------|-----------------------|----------------------------------|-----------------------------------|--|
| 4HP1 | 1 = 1 High | C = Clamp | 316 = 316L | Blank = | 2 | F = Flange (standard) | EP = Electro-polished (standard) | E = EPR (Standard) | GPA = Gauge ports with Gauges (standard) |
| 7HP1 | 2 = 2 High | SB = Swing Bolt | | Universal | 3 | TC = Ferrules | | B = Buna N | |
| 12HP1 | 3 = 3 High | | | Seat for 222 | 4 | | | S = Silicone | |
| 21HP1 | 4 = 4 High | | | FIN/Flat and | 6 | | | V = Viton | |
| | | | | DOE Style | | | | TS = Teflon Encapsulated Silicone | |
| | | | | Cartridges | | | | | |
| | | | | 226 = 226 Style (Fin/Flat) | | | | | |

*1 High and 2 High available only in 4HP1 and 7HP1 models

**2" connections available only with 4HP1 and 7HP1 models. 3" connections are standard for 12HP1 models, 4" connections are standard for 21HP1.

Customization

Housings may be customized to meet your precise requirements. Contact Shelco's technical support staff or your distributor for more information.



MicroSentry™, MicroVantage™, Shelco Filters® and the Shelco logo are registered trademarks of the Tinny Corporation. Shelco Filters is a division of the Tinny Corporation.