

SJCH Series

Single Jumbo Cartridge Filter Housings



- Designed for residential, commercial and industrial filter applications
- Accepts single jumbo cartridge for easy installation and replacement
- Heavy-duty 304L or 316L Stainless Steel construction for maximum durability and corrosion resistance
- V-band clamp or swing bolt closures for quick and easy cartridge change outs and secure sealing
- Available in three sizes to support flow rates up to 150 GPM
- Standard with pressure gauges, mounting legs and grounding lug
- 20 micron and above elements may be washed and reused

Applications

Water	Desalination
Chemicals	Food & Beverage
Electronics	Oil / Gas
Power	Inks / Paints / Coatings
Coolants	Pulp & Paper

Specifications & Operating Parameters

Maximum Operating Pressure

150 psig (10.3 bar) @ 300°F (149°C)

Connections

Inlet /Outlet: Standard - 2" MNPT

*Optional: MNPT, FNPT or BSP fittings; RF Flanges,
Sanitary Ferrules or Grooved Fittings*

Drain Ports: 1/2" NPT

Vent Ports: 1/4" NPT

Materials of Construction

Head / Shell / Connections: 304L or 316L Stainless Steel

Closure: Clamp – 304L Stainless Steel

Swing Bolts – Zinc Plated Steel

Vent and Drain Plugs: 304L or 316L Stainless Steel

Gaskets

Standard: Buna N (FDA Grade),

Optional: EPR, Silicone,

Teflon Encapsulated Silicone, Viton

Finish

Poly-coat on exterior surfaces

Optional: Electro-polish, Glass Bead or Passivate

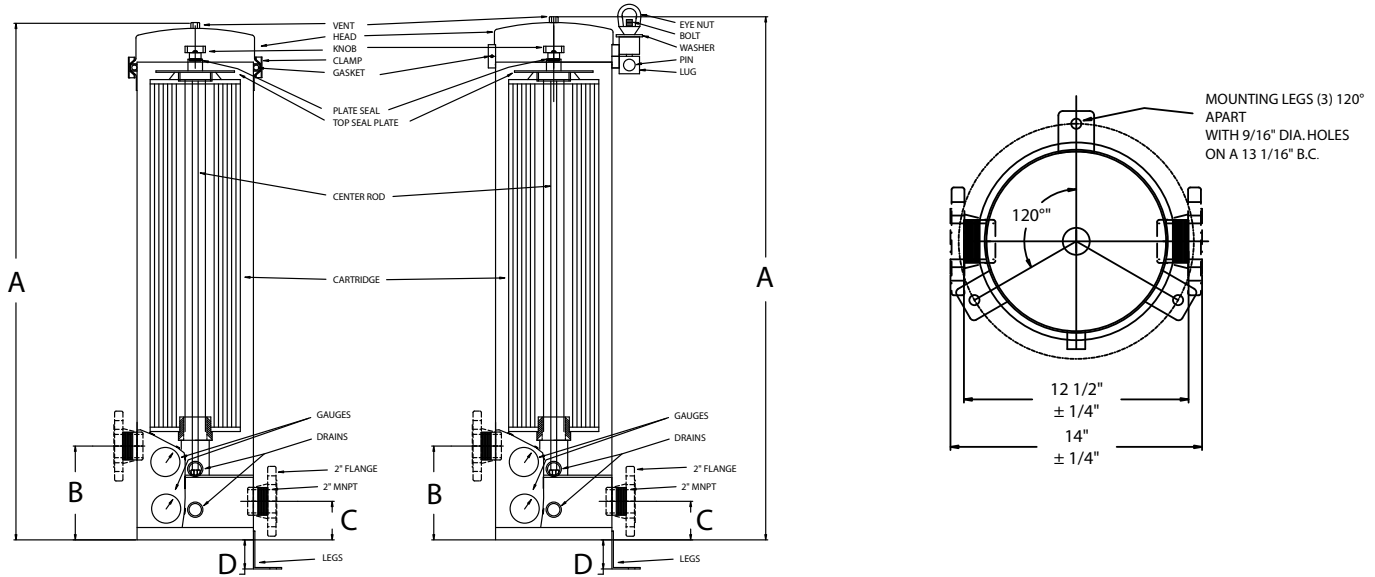
Custom Options

- Mounting Tabs or Heavy Duty Mounting Legs

See ordering guide for complete selection of options

MODEL	RATED FLOW CAPACITY* GPM (LPM)	MAXIMUM DIAMETER CARTRIDGE	CLAMP STYLE	SWING BOLT STYLE			
			A	A	B	C	D
SJCH-40	50 (185.5)	7 3/4"	27" (68.6 cm)	27 1/2" (69.9 cm)	8 1/16" (20.5 cm)	3 3/16" 8.4 cm)	2 1/2" (6.4 cm)
SJCH-90	100 (371.10)	7 3/4"	37" (94.0 cm)	37 1/2" (85.3 cm)	8 1/16" (20.5 cm)	3 3/16" 8.4 cm)	2 1/2" (6.4 cm)
SJCH-170	150 (594.3)	7 3/4"	47" (119.4 cm)	47 1/2" (120.7 cm)	8 1/16" (20.5 cm)	3 3/16" 8.4 cm)	2 1/2" (6.4 cm)

Dimensions



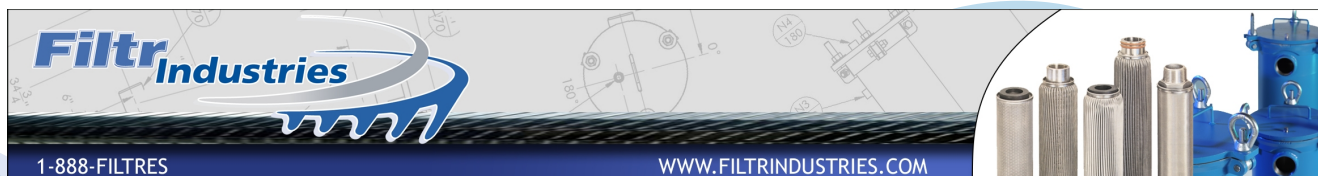
Ordering Guide (Example: SJCH170C-316-2MNPT-ML-B)

SJCH		170	-	C	-	316	-	2	MNPT	-	ML	-	B
MODEL	CARTRIDGE SERIES	CLOSURE STYLE	MATERIAL	CONNECTION SIZE	CONNECTION TYPE	CONNECTION TYPE	OPTIONS	GASKET					
SJCH	40 = 40 Series 70 = 70 Series 170 = 170 Series	C = V Band Clamp SB = Swing Bolt	304 = 304L 316 = 316L	2 (standard) 1.5	MNPT = Male Pipe Thread (standard)* FMPT = Female Couplings * BSPT = BSP Tapered * BSPP = BSP Parallel * F = Flange TC = Ferrules GF = Grooved Fittings	ML = Mounting Legs (standard) OL = Heavy Duty Legs GP = Gauge Ports GPA = Gauge ports with Gauges EP = Electropolished GB = Glass Bead P = Passivate	B = Buna N (standard) E = EPR S = Silicone V = Viton TS = Teflon Encapsulated Silicone						

* MNPT fittings are available in 1.5 and 2 inches. FMPT, BSPT and BSPP are only available in 2" connection size.

Customization

Housings may be customized to meet your precise requirements. Contact Shelco's technical support staff or your distributor for more information.



MicroSentry™, MicroVantage™, Shelco Filters® and the Shelco logo are registered trademarks of the Tinny Corporation. Shelco Filters is a division of the Tinny Corporation.